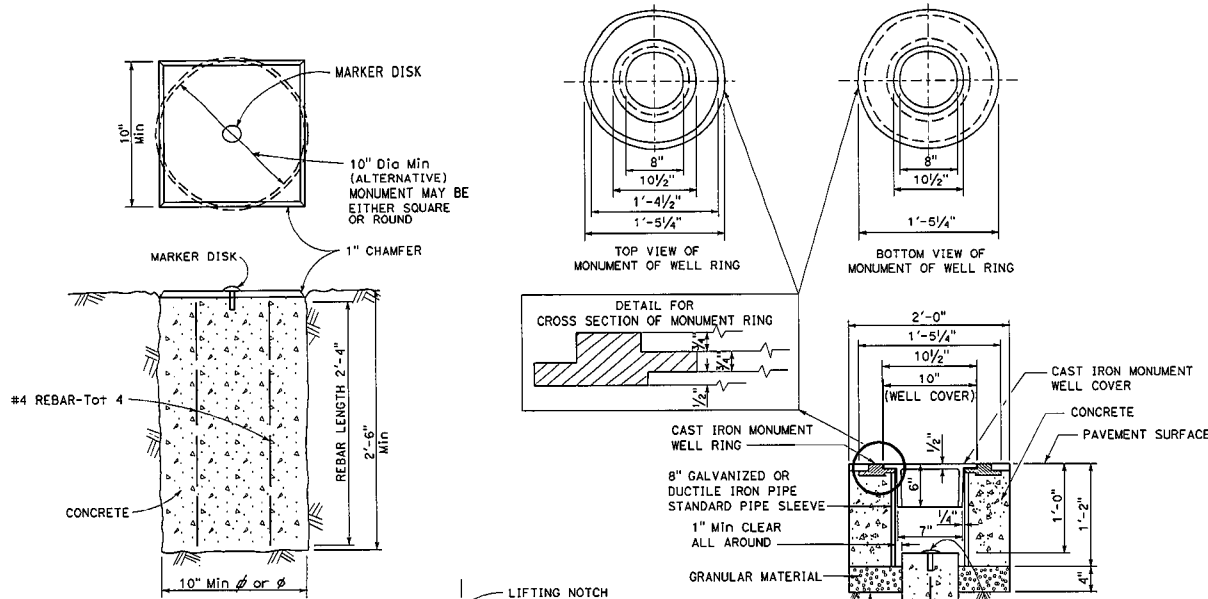


DIS#	COUNTY	ROUTE	POST MILES TOTAL	SHEET NO.	TOTAL SHEETS
				6228	

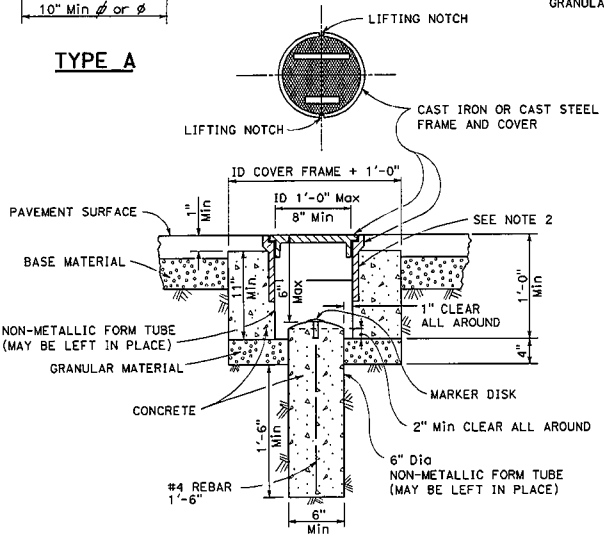
Mark S. Turner
 PROFESSIONAL LAND SURVEYOR
 No. 6228
 Exp. 3-31-12
 STATE OF CALIFORNIA

May 20, 2011
 PLANS APPROVAL DATE
 THE STATE OF CALIFORNIA OR ITS OFFICERS OR AGENTS SHALL NOT BE RESPONSIBLE FOR THE ACCURACY OR COMPLETENESS OF SCANNED COPIES OF THIS PLAN SHEET.



TYPE A

TYPE B

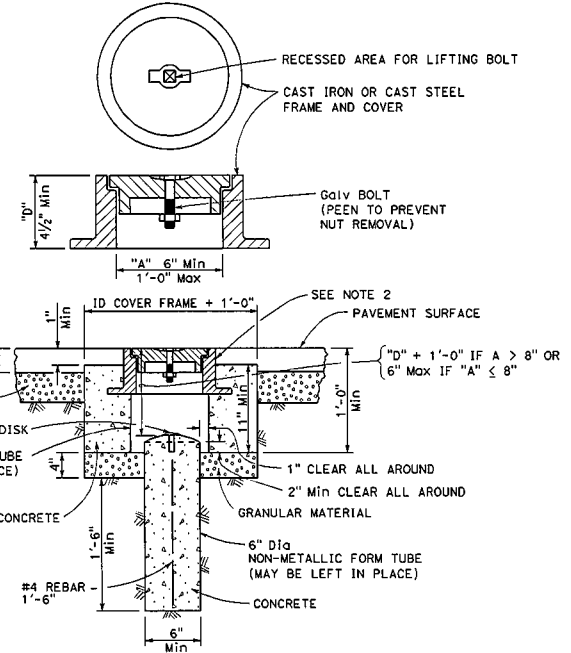


TYPE D

Alternative No. 1

NOTES:

1. The configuration of the cast iron or cast steel frame and cover may vary from that shown.
2. Frame shall be embedded in the concrete a minimum of 3".



TYPE D

Alternative No. 2

STATE OF CALIFORNIA
 DEPARTMENT OF TRANSPORTATION
SURVEY MONUMENTS

NO SCALE